

Communications & Power Industries Coaxial Magnetron



FEATURES:

- Frequency 8.5 – 9.6 GHz
- Peak power output 250 kW
- Duty cycle .00125
- Anode voltage 25 kV
- Anode current 18 amps
- Pulse width 2.5 microseconds
- Heater 13.75 volts @ 3.1 amps
- Air cooled
- Mechanically tunable

BENEFITS:

- Long life
- Exceptional frequency stability

APPLICATIONS:

- Air traffic control radars
- Weather radars
- Threat simulator radars

CPI X-Band 250 kW Coaxial Magnetron: VMX1077A

Electrical Specifications

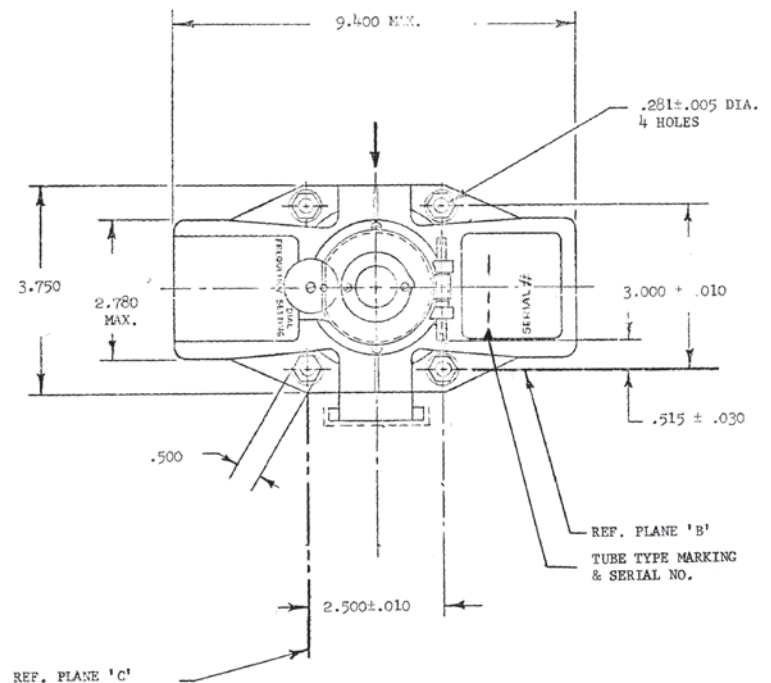
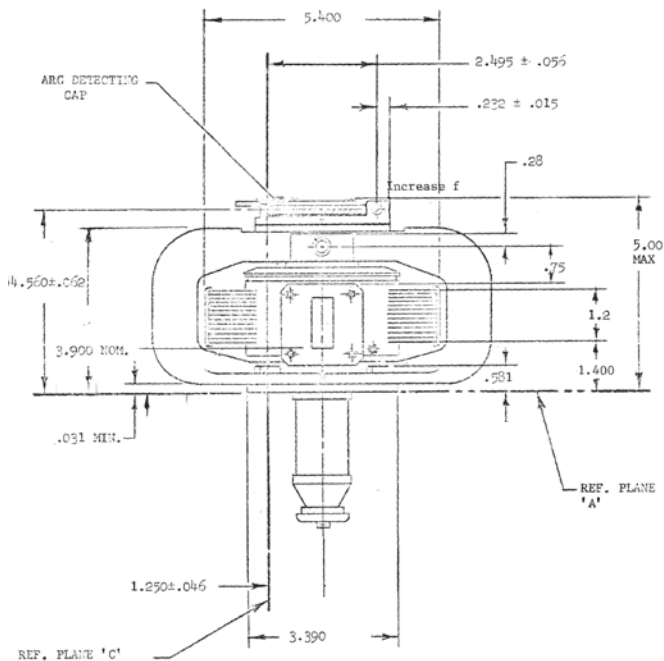
Frequency	8.5 – 9.6 GHz
Peak Power Output	250 kW
Average Power Output	0.375 kW
Pulse Voltage	23 – 27 kV
Peak Anode Current	30 A
Average Anode Current	22.5 mA
Pulse Width	3.0 μ S
Duty Cycle	0.0015
Maximum Filament Voltage	15 V
Maximum Filament Current	12 A
Minimum Warm-Up Time	150 S
Maximum Load VSWR	1.5:1

Mechanical and Environmental Specifications

Cooling	Forced air
Maximum Body Temperature	130°C
Mounting Position	Any
Support	Mounting flange
Coupling	WR112
Tuning	152
Weight	17 lbs. (7.71 kg)

With a history of producing high quality products, we can help you with your magnetron.

Contact us at BMDMarketing@cpii.com or call us at +1 978-922-6000.



Beverly Microwave Division
150 Sohler Road
Beverly, Massachusetts
USA 01915

tel +1 978-922-6000
email BMDMarketing@cpii.com
fax +1 978-922-8914
web www.cpii.com

For more detailed information, please refer to the corresponding CPI technical description if one has been published, or contact CPI. Specifications may change without notice as a result of additional data or product refinement. Please contact CPI before using this information for system design.

©2020 Communications & Power Industries LLC. Company proprietary; use and reproduction is strictly prohibited without written authorization from CPI.